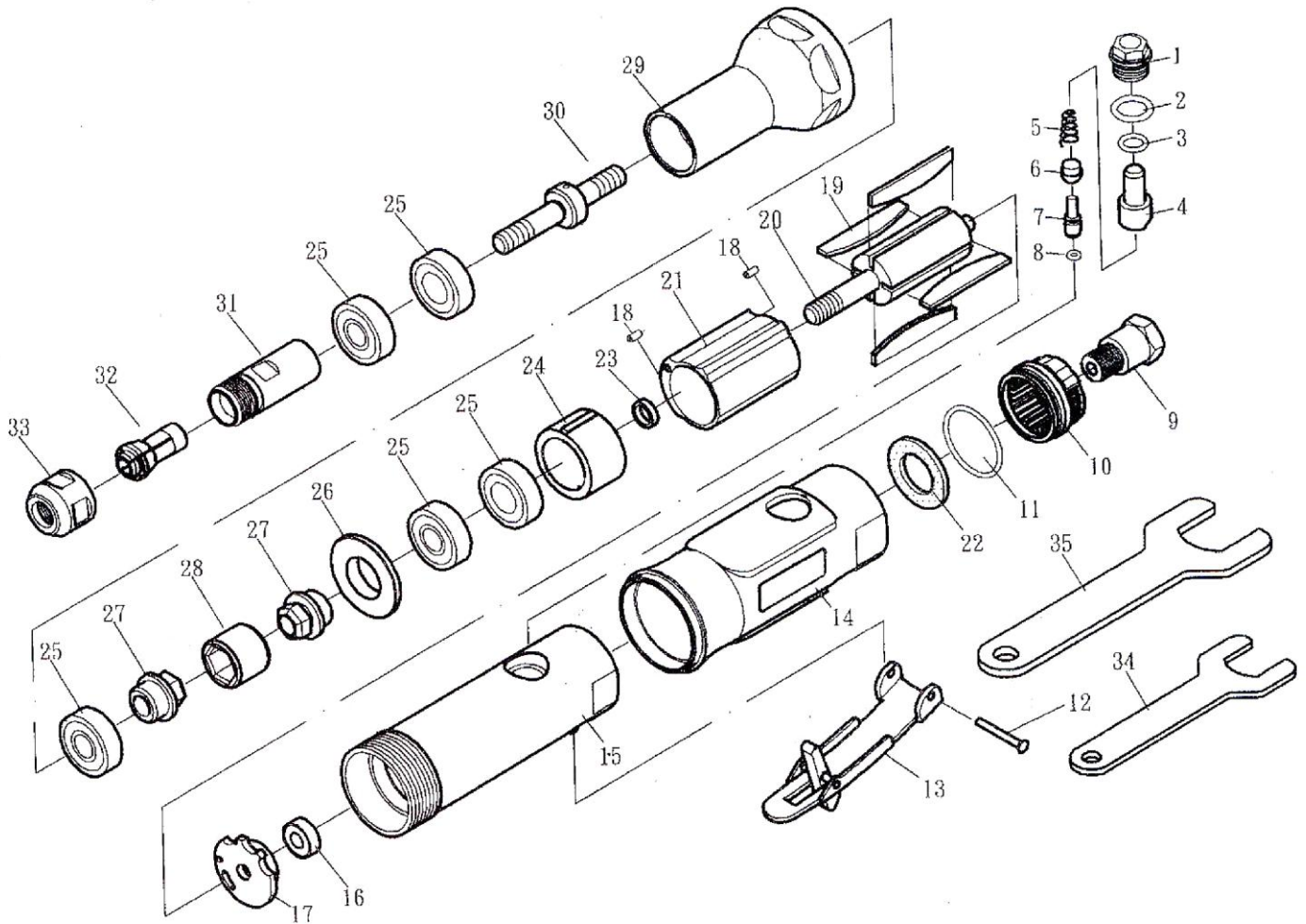


ZP314**3" Extension Air Die Grinder****ZP314****3" Extension Air Die Grinder****TECHNICAL DATA**

| | | |
|----------------|-------------|-------------|
| Collet Size | inch(mm) | : 1/4 (6) |
| Net Weight | lbs(kgs) | : 1.5(0.7) |
| Overall Length | inch(mm) | : 9.4 (240) |
| Free Speed | R.P.M. | : 20,000 |
| Air Inlet | inch-NPT/PT | : 1/4 |
| Min. Hose Size | inch(mm) | : 3/8(10) |
| Avg. Air Cons | cfm(l/min) | : 8.5(240) |

PARTS LIST

| Index # | Part # | Description | Index # | Part # | Description |
|---------|----------|--------------------|---------|----------|---------------------|
| 1. | ZP314-01 | Screw | 19. | ZP314-19 | Rotor Blade (4) |
| 2. | ZP314-02 | O-Ring | 20. | ZP314-20 | Rotor |
| 3. | ZP314-03 | O-Ring (2) | 21. | ZP314-21 | Cylinder |
| 4. | ZP314-04 | Air Regulator | 22. | ZP314-22 | Cone Muffler |
| 5. | ZP314-05 | Spring | 23. | ZP314-23 | Bearing Spacer |
| 6. | ZP314-06 | Valve Stem Bushing | 24. | ZP314-24 | Front Plate |
| 7. | ZP314-07 | Valve Stem | 25. | ZP314-25 | Bearing (5) |
| 8. | ZP314-08 | O-Ring | 26. | ZP314-26 | Washer |
| 9. | ZP314-09 | Air Inlet | 27. | ZP314-27 | Coupling Nut (2) |
| 10. | ZP314-10 | Exhaust Sleeve | 28. | ZP314-28 | Coupling |
| 11. | ZP314-11 | O-Ring | 29. | ZP314-29 | Spindle Housing |
| 12. | ZP314-12 | Pin | 30. | ZP314-30 | Shaft |
| 13. | ZP314-13 | Lever | 31. | ZP314-31 | Spindle |
| 14. | ZP314-14 | Protecting Rubber | 32. | ZP314-32 | Collet |
| 15. | ZP314-15 | Housing | 33. | ZP314-33 | Collet Nut |
| 16. | ZP314-16 | Bearing | 34. | ZP314-34 | Stop Spanner (14mm) |
| 17. | ZP314-17 | Rear Plate | 35. | ZP314-35 | Stop Spanner (19mm) |
| 18. | ZP314-18 | Pin (2) | | | |