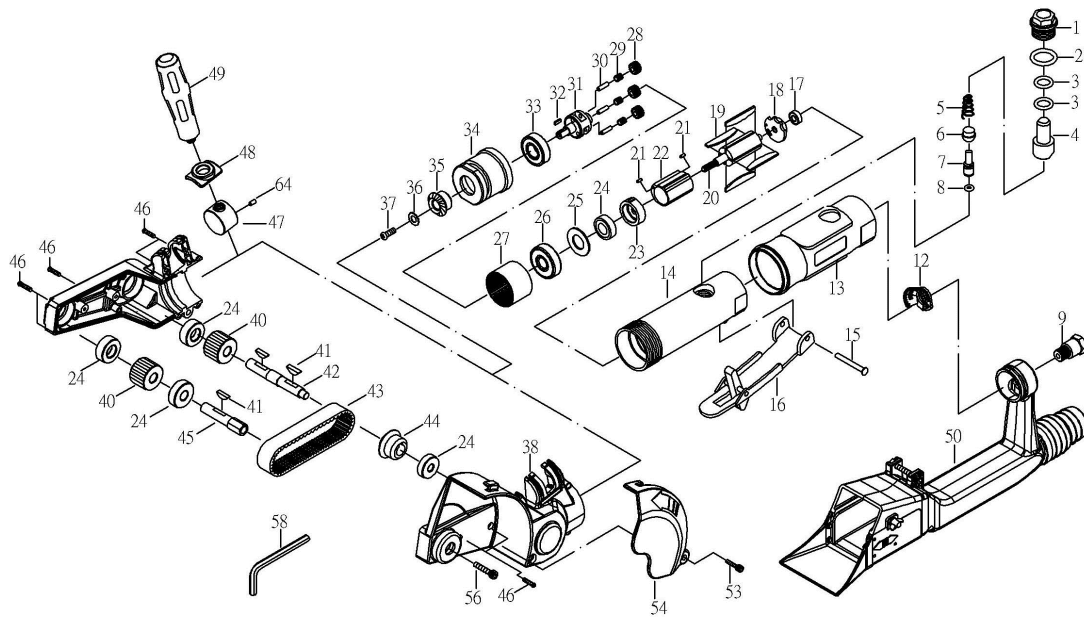


ZTU-391C Central-Vacuum Rust & Paint Removal Tools



ZTU-391C Central-Vacuum Rust & Paint Removal Tools

TECHNICAL

DATA

Spindle Thread : 9 mm
 Net Weight : 2.7(1.2) lbs(kgs)
 Length : 10(254) inch(mm)
 RPM : 4,000

Air Inlet Size : 1/4 inch-NPT/PT
 Min. Hose Size : 3/8(10) inch(mm)
 Avg. Air Cons. : 3.5 cfm

PARTS LIST

Index	Part #	Description	Q'ty	Index	Part #	Description	Q'ty
01	ZTU-391C-01	SCREW	1	29	ZTU-391C-29	NEEDLE BEARING	3
02	ZTU-391C-02	O-RING(P12)	1	30	ZTU-391C-30	IDLER GEAR PIN	3
03	ZTU-391C-03	O-RING(P8)	2	31	ZTU-391C-31	GEAR PLATE	1
04	ZTU-391C-04	AIR REGULATOR	1	32	ZTU-391C-32	SLIDING KEY	1
05	ZTU-391C-05	SPRING	1	33	ZTU-391C-33	BEARING (6200ZZ)	1
06	ZTU-391C-06	VALVE STEM BUSHING	1	34	ZTU-391C-34	CLAMP NUT	1
07	ZTU-391C-07	VALVE STEM	1	35	ZTU-391C-35	BEVEL GEAR	1
08	ZTU-391C-08	O-RING(3.5*1.4)	1	36	ZTU-391C-36	WASHER	1
09	ZTU-391C-09	AIR INLET (19)	1	37	ZTU-391C-37	SCREW (M4*6)	1
12	ZTU-391C-12	CONE MUFFLER	1	38	ZTU-391C-38	PLASTIC HOUSING	1
13	ZTU-391C-13	PROTECTING RUBBER	1	40	ZTU-391C-40	TOOTHED PULLEY	2
14	ZTU-391C-14	HOUSING	1	41	ZTU-391C-41	KEY (3*13)	3
15	ZTU-391C-15	SPRING PIN	1	42	ZTU-391C-42	BELT DRIVE SHAFT	1
16	ZTU-391C-16	LEVER	1	43	ZTU-391C-43	TOOTHED BELT	1
17	ZTU-391C-17	BEARING(696ZZ)	1	44	ZTU-391C-44	LEFT BEVEL GEAR (20T)	1
18	ZTU-391C-18	REAR PLATE	1	45	ZTU-391C-45	BELT DRIVE SHAFT (M6)	1
19	ZTU-391C-19	ROTOR BLADE	4	46	ZTU-391C-46	SCREW (3*18L)	11
20	ZTU-391C-20	ROTOR (9T)	1	47	ZTU-391C-47	NUT	1
21	ZTU-391C-21	PIN	2	48	ZTU-391C-48	HANDLE RING	1
22	ZTU-391C-22	CYLINDER	1	49	ZTU-391C-49	HANDLE	1
23	ZTU-391C-23	FRONT PLATE	1	50	ZTU-391C-50	VACUUM ADAPTER	1
24	ZTU-391C-24	BEARING(608ZZ)	5	53	ZTU-391C-52	SCREW	1
25	ZTU-391C-25	WASHER	1	54	ZTU-391C-54	COVER	1
26	ZTU-391C-26	BEARING(6001Z)	1	56	ZTU-391C-56	SCREW (M6*25L)	1
27	ZTU-391C-27	THREAD RING GEAR	1	58	ZTU-391C-58	HEX (5MM)	1
28	ZTU-391C-28	IDLER GEAR (16T)	3	64	ZTU-391C-64	PIN (3*5)	1