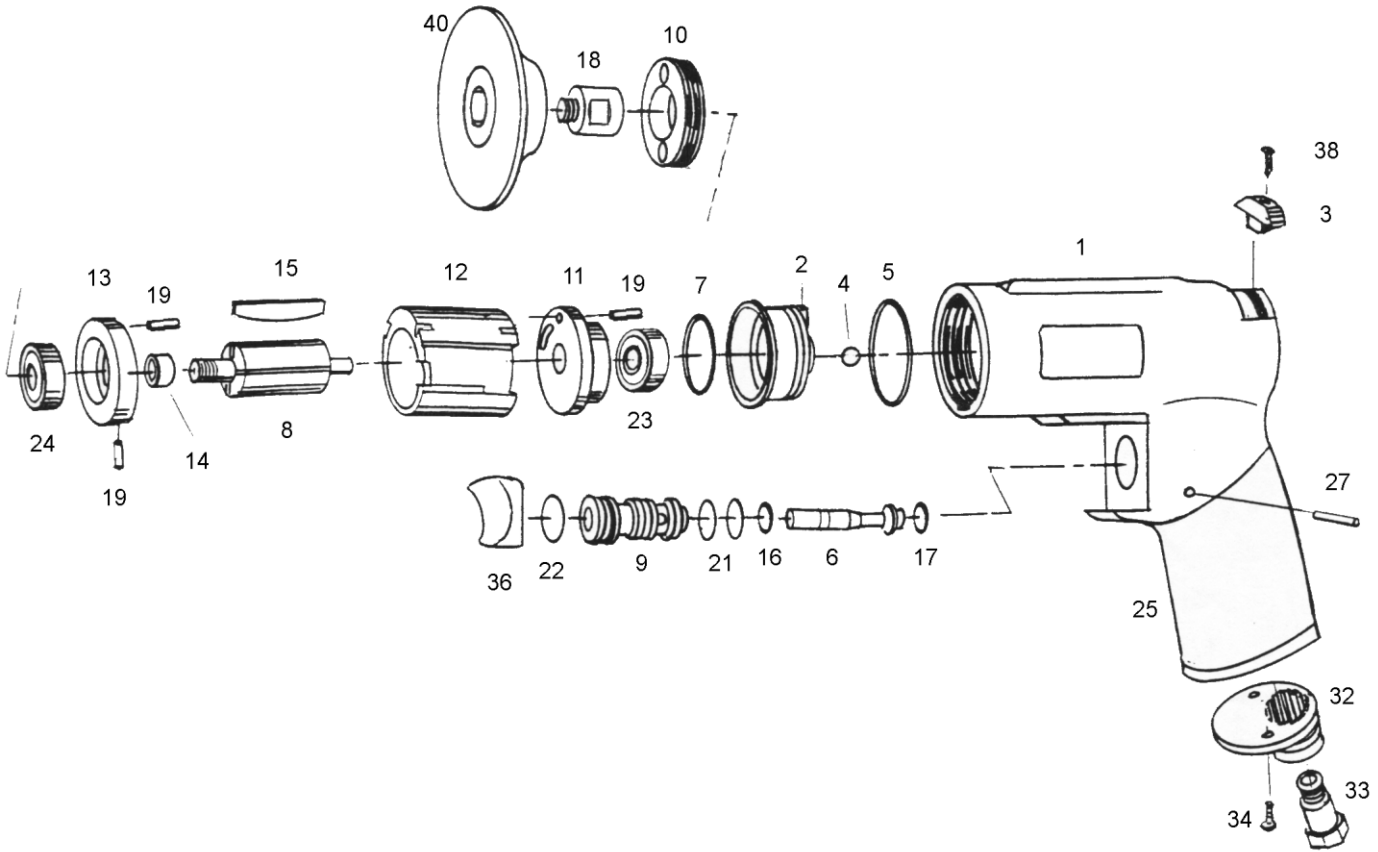


# ZP386AK

# Mini Sander Kit



# ZP386AK

# Mini Sander Kit

<b>TECHNICAL DATA</b>	Paper Size	: 3"
	Weight	: 1.5 Lbs
	Free Speed	: 18,000 RPM
	Spindled Thread	: 1/4"-20
	Air Inlet	: 1/4"
	Air Pressure	: 90 PSI
	Air Cons.	: 4 cfm
	Sound Pressure	: 83 dBA
	Vibration	: <2.5 M/S <sup>2</sup>

## PARTS LIST

Index #	Part #	Description	Index #	Part #	Description
1	ZP386AK-01	Motor Housing	21	ZP386AK-21	O - Ring
2	ZP386AK-02	Regulator	22	ZP386AK-22	O - Ring
3	ZP386AK-03	Knob	23	ZP386AK-23	Ball Bearing
4	ZP386AK-04	Steel Ball	24	ZP386AK-24	Ball Bearing
5	ZP386AK-05	O - Ring	25	ZP386AK-25	Rubber Sleeve
6	ZP386AK-06	Valve Stem	27	ZP386AK-27	Pin
7	ZP386AK-07	O - Ring	32	ZP386AK-32	Exhaust Deffuser
8	ZP386AK-08	Rotor	33	ZP386AK-33	Air Inlet
9	ZP386AK-09	Bushing	34	ZP386AK-34	Screw
10	ZP386AK-10	Retainer	36	ZP386AK-36	Trigger
11	ZP386AK-11	End Plate	38	ZP386AK-38	Screw
12	ZP386AK-12	Cylinder	40	ZP386AK-40	3" Rubber Pad
13	ZP386AK-13	Front Plate			<b>Accessories</b>
14	ZP386AK-14	Spacer		3SD100	3" 100 Grit Sanding Disc X 10
15	ZP386AK-15	Blades		3SD80	3" 80 Grit Sanding Disc X 10
16	ZP386AK-16	O - Ring		3SD120	3" 120 Grit Sanding Disc X 10
17	ZP386AK-17	O - Ring		3SF-Yellow	3" Surface Preparation Disc-Coarse X 1
18	ZP386AK-18	Adapter		3SF-Red	3" Surface Preparation Disc-Medium X 1
19	ZP386AK-19	Pin		3SF-Blue	3" Surface Preparation Disc-Fine X 1
				386W12	Wrench 12 MM X 1