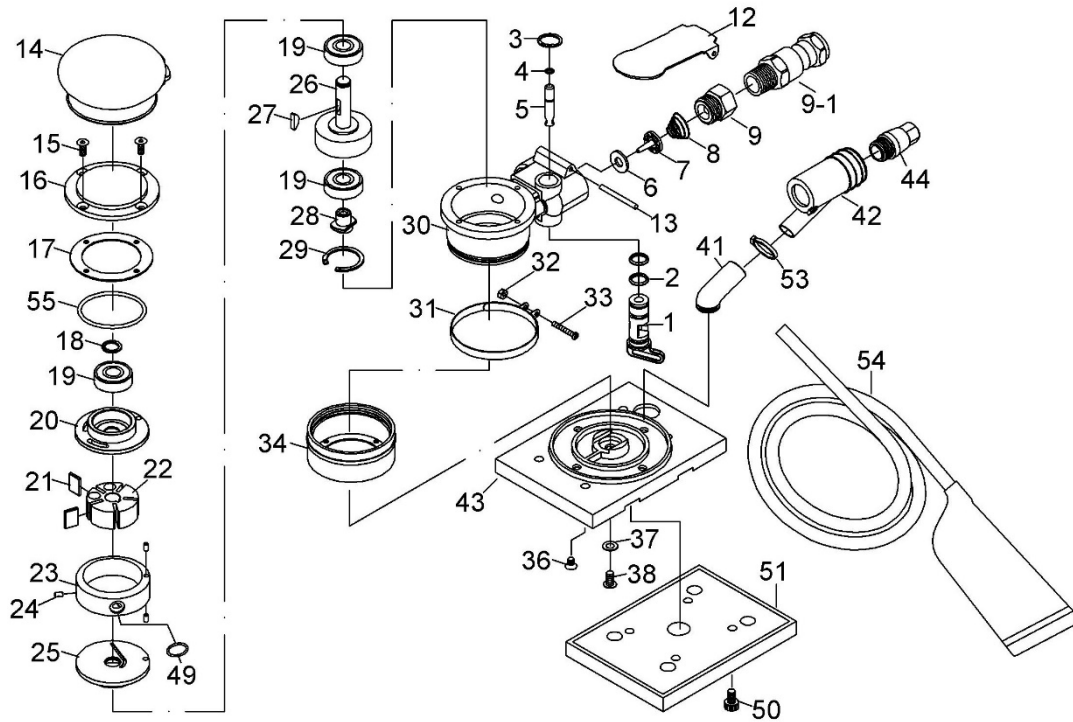


ZP339S Air Jitterbug Sanders (Self-Generated Vacuum)



ZP339S Air Jitterbug Sanders (Self-Generated Vacuum)

TECHNICAL DATA

Net Weight : 1.5(0.7) lbs(kgs)
 Diameter Orbit : 3.2
 Noise Level : 80 dBA
 Vibration : 0.8 m/s²

RPM : 10000
 Air Inlet Size : 1/4 inch-NPT/PT
 Min. Hose Size : 3/8(10) inch(mm)
 Avg. Air Cons. : 1.6 cfm

PARTS LIST

Index	Part #	Description	Q'ty	Index	Part #	Description	Q'ty
01	ZP339S-01	REGULATOR	1	25	ZP339S-25	FRONT PLATE	1
02	ZP339S-02	O-RING (P10)	2	26	ZP339S-26	MOTOR SHAFT BALANCER	1
03	ZP339S-03	SNAP RING	1	27	ZP339S-27	ROTOR KEY	1
04	ZP339S-04	O-RING	1	28	ZP339S-28	SHAFT	1
05	ZP339S-05	VALVE STEM	1	29	ZP339S-29	SNAP RING	1
06	ZP339S-06	WASHER	1	30	ZP339S-30	HOUSING	1
07	ZP339S-07	VALVE	1	31	ZP339S-31	SKIRT BAND	1
08	ZP339S-08	SPRING	1	32	ZP339S-32	NUT	1
09	ZP339S-09	AIR INLET	1	33	ZP339S-33	SCREW(M3*20)	1
09-1	ZP339S-09-1	SWIVEL QUICK COUPLER	1	34	ZP339S-34	SKIRT	1
12	ZP339S-12	LEVER	1	36	ZP339S-36	SCREW(M4*6)	4
13	ZP339S-13	PIN(3*36L)	1	37	ZP339S-37	WASHER (M5)	1
14	ZP339S-14	PROTECTING RUBBER	1	38	ZP339S-38	SCREW(M5*12)	1
15	ZP339S-15	SCREW	4	41	ZP339S-41	DUST HOUSE	1
16	ZP339S-16	TOP COVER	1	42	ZP339S-42	VACUUM ADAPTER	1
17	ZP339S-17	PACKING	1	43	ZP339S-43	PAD SEAT	1
18	ZP339S-18	SNAP RING	1	44	ZP339S-44	MUFFLER BODY	1
19	ZP339S-19	BEARING (6000ZZ)	3	49	ZP339S-49	O-RING(S8)	1
20	ZP339S-20	REAR PLATE	1	50	ZP339S-50	SCREW(M4*8L)	4
21	ZP339S-21	ROTOR BLADE	5	51	ZP339S-51	PAD HOOK-UP (813S)	1
22	ZP339S-22	ROTOR	1	53	ZP339S-53	SKIRT BAND	1
23	ZP339S-23	CYLINDER	1	54	ZP339S-54	RUBBER HOSE & BAG	1
24	ZP339S-24	PIN (3*5)	3	55	ZP339S-55	O-RING (AS031)	1