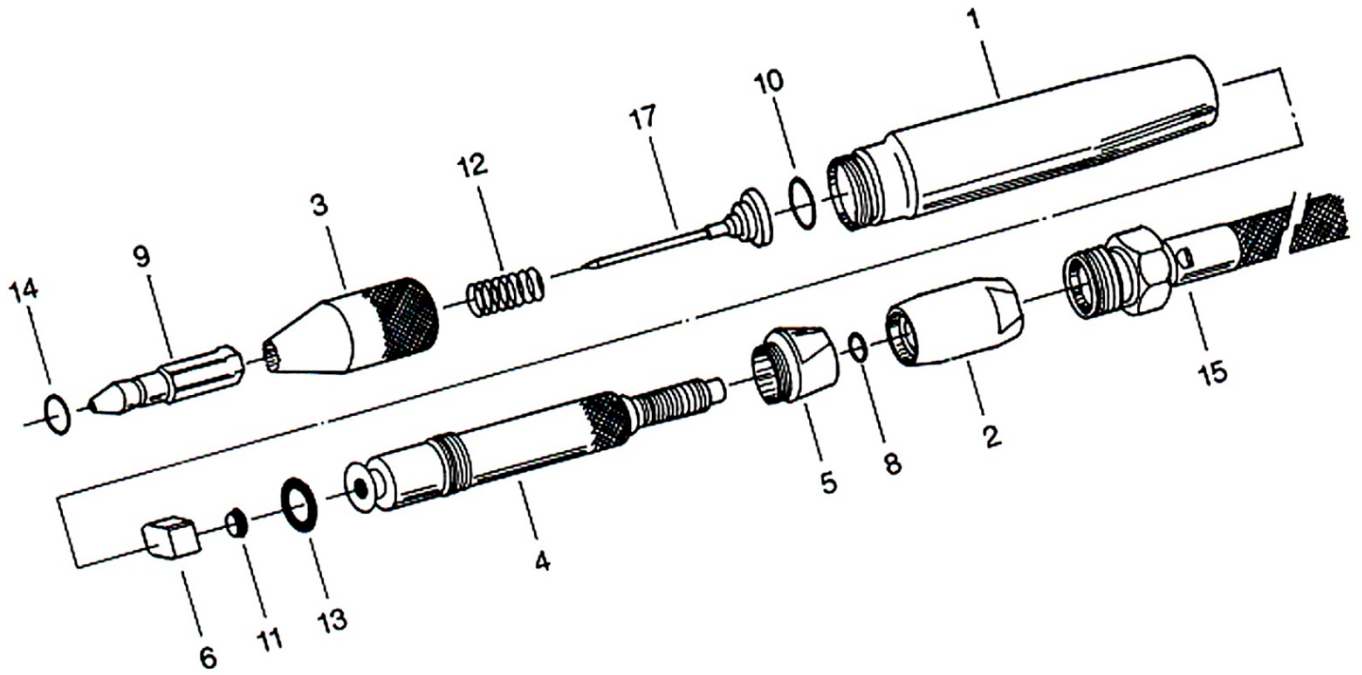


# ZP209 Air Engraving Stylus



## ZP209 Air Engraving Stylus

### TECHNICAL DATA

Housing : Brass  
 Stroke Length : 1.2 mm  
 Stroke Speed : 30,000 bpm  
 Net Weight : 0.24 kg  
 Length : 160 mm  
 Air Cons. : 0.05 m3/min

Air Inlet : 1/4"  
 Hose Size : 6.5 mm(ID)  
 Sound Pressure : 75 dBA  
 Air Pressure : 90 psi  
 Vibration : 2.9 m/S<sup>2</sup>

### PARTS LIST

Index	Part #	Description	Q'ty	Index	Part #	Description	Q'ty
1	ZP209-01	Body	1	11	ZP209-11	Seal	1
2	ZP209-02	Adjustment Nut	1	12	ZP209-12	Spring	1
3	ZP209-03	Front Part	1	13	ZP209-13	O-Ring	1
4	ZP209-04	Throttle Valve	1	14	ZP209-14	O-Ring	1
5	ZP209-05	Ring Nut	1	15	ZP209-15	Air Hose	1
6	ZP209-06	Valve Seat	1	16	ZP209-16	Sleeve For Thin Point	1
8	ZP209-08	O-Ring	1	17	ZP209-17	Sleeve For Medium Point	1
9	ZP209-09	Bush	1	18	ZP209-18	Sleeve For Large Point	1
10	ZP209-10	O-Ring					