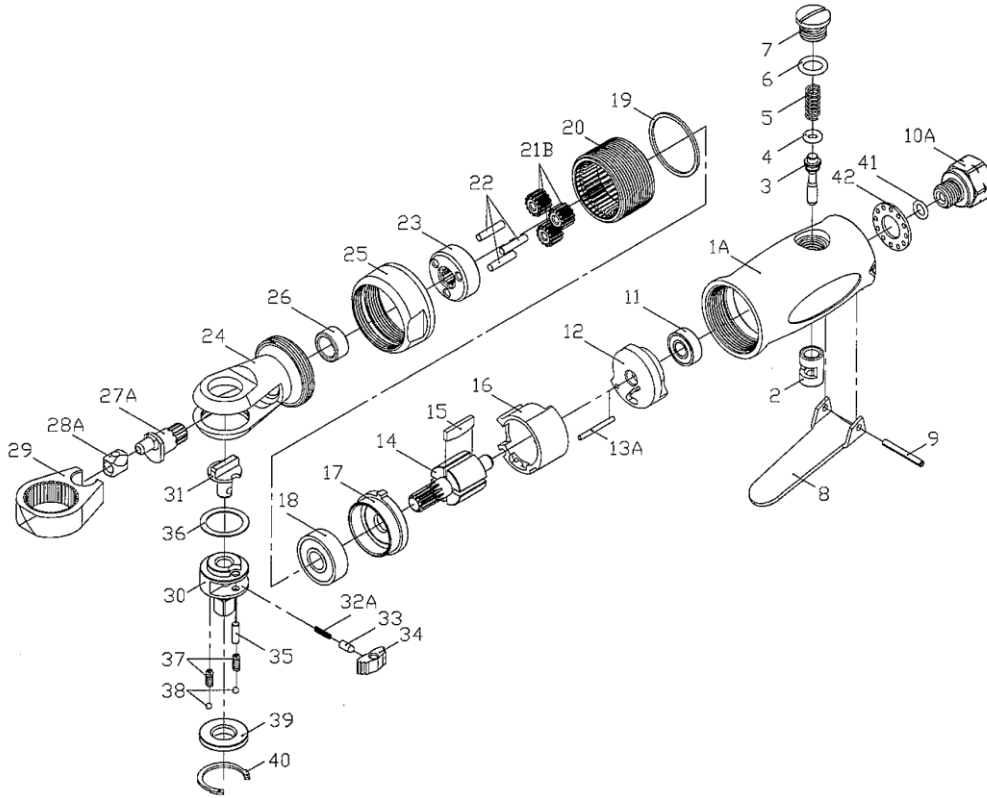


ZP168 1/4" Air Ratchet Wrench



ZP168 1/4" Air Ratchet Wrench

TECHNICAL DATA

Square Drive : 1/4(6.4)inch(mm)
 Std. Bolt Size : 1/4(6.4)inch(mm)
 Free Speed : 260R.P.M.
 Max. Torque : 20(27)ft-lb(NM)
 Avg. Air Cons. : 2.5(70)cfm(l/min)

Air Inlet Size : 1/4inch
 Net Weight : 0.99(0.45))lbs(kgs)
 Overall Length : 5-1/4(133)inch(mm)
 Min. Hose Size : 1/4(6.4)inch(mm)
 Operating Air Pressure : 90(6.2)PSI(kg/cm2)

PARTS LIST

Index	Part #	Description	Q'ty	Index	Part #	Description	Q'ty
1A	ZP168-01A	Motor Housing	1	22	ZP168-22	Pin	3
2	ZP168-02	Throttle Valve	1	23	ZP168-23	Gear Plate	1
3	ZP168-03	Valve Stem	1	24	ZP168-24	Ratchet Housing	1
4	ZP168-04	O-ring	1	25	ZP168-25	Clamp Nut	1
5	ZP168-05	Spring	1	26	ZP168-26	Bushing	1
6	ZP168-06	O-ring	1	27A	ZP168-27A	Crank Shaft	1
7	ZP168-07	Valve Plug	1	28A	ZP168-28A	Drive Bushing	1
8	ZP168-08	Throttle Lever	1	29	ZP168-29	Ratchet Yoke	1
9	ZP168-09	Spring Pin	1	30	ZP168-30	Ratchet Anvil	1
10A	ZP168-10A	Air Inlet	1	31	ZP168-31	Reverse Button	1
11	ZP168-11	Ball Bearing	1	32A	ZP168-32A	Spring	1
12	ZP168-12	Rear End Plate	1	33	ZP168-33	Lock Pin	1
13A	ZP168-13A	Pin	1	34	ZP168-34	Ratchet Pawl	1
14	ZP168-14	Rotor	1	35	ZP168-35	Pin	1
15	ZP168-15	Rotor Blade	4	36	ZP168-36	Washer	1
16	ZP168-16	Cylinder	1	37	ZP168-37	Spring	2
17	ZP168-17	Front End Plate	1	38	ZP168-38	Steel Ball	2
18	ZP168-18	Ball Bearing	1	39	ZP168-39	Thrust Washer	1
19	ZP168-19	Washer	1	40	ZP168-40	Retainer Ring	1
20	ZP168-20	Internal Gear	1	41	ZP168-41	O-ring	1
21B	ZP168-21B	Planet Gear	3	42	ZP168-42	Exhaust Diffuser	1