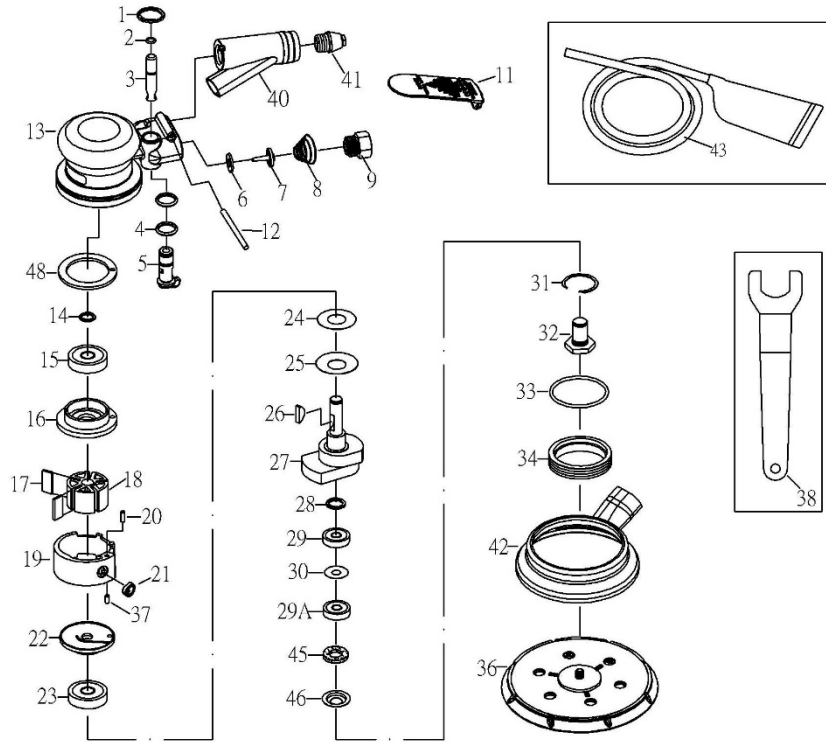


ZOS01-S6 5mm Random Orbital Sander (Self-Generated Vacuum)



ZOS01-S6 5mm Random Orbital Sander (Self-Generated Vacuum)

TECHNICAL DATA

Pad Dia : 6(150) inch(mm)
 Net Weight : 2(0.9) lbs(kgs)
 Diameter Orbit : 5
 Noise Level : 80 dBA
 Vibration : 0.8 m/s²

RPM : 11000
 Air Inlet Size : 1/4 inch-NPT/PT
 Min. Hose Size : 3/8(10) inch(mm)
 Avg. Air Cons. : 1.6 cfm

PARTS LIST

Index	Part #	Description	Q'ty	Index	Part #	Description	Q'ty
1	ZOS01-S6-01	SNAP RING (ISTW12)	1	24	ZOS01-S6-24	WASHER	1
2	ZOS01-S6-02	O-RING (3.5*1.4)	1	25	ZOS01-S6-25	WASHER	1
3	ZOS01-S6-03	VALVE STEM (6*28.5L)	1	26	ZOS01-S6-26	KEY	1
4	ZOS01-S6-04	O-RING (P10)	2	27	ZOS01-S6-27	MOTOR SHAFT BALANCER (6")	1
5	ZOS01-S6-05	REGULATOR	1	28	ZOS01-S6-28	SNAP RING (ISTW12)	1
6	ZOS01-S6-06	WASHER	1	29	ZOS01-S6-29	BEARING (6001LU)	1
7	ZOS01-S6-07	VALVE	1	29A	ZOS01-S6-29A	BEARING (6001)	1
8	ZOS01-S6-08	SPRING	1	30	ZOS01-S6-30	SHIM	1
9	ZOS01-S6-09	AIR INLET	1	31	ZOS01-S6-31	SNAP RING	1
11	ZOS01-S6-11	LEVER	1	32	ZOS01-S6-32	SHAFT	1
12	ZOS01-S6-12	PIN (3*40L)	1	33	ZOS01-S6-33	O-RING (G40)	1
13	ZOS01-S6-13	HOUSING	1	34	ZOS01-S6-34	LOCK NUT	1
14	ZOS01-S6-14	SNAP RING (STW10)	1	36	ZOS01-S6-36	PAD HOOK-UP	1
15	ZOS01-S6-15	BEARING (6000ZZ)	1	37	ZOS01-S6-37	PIN (3*8)	1
16	ZOS01-S6-16	REAR PLATE	1	38	ZOS01-S6-38	STOP SPANNER (22MM)	1
17	ZOS01-S6-17	ROTOR BLADE	5	40	ZOS01-S6-40	VACUUM ADAPTER	1
18	ZOS01-S6-18	ROTOR	1	41	ZOS01-S6-41	MUFFLER BODY	1
19	ZOS01-S6-19	CYLINDER	1	42	ZOS01-S6-42	SHROUD	1
20	ZOS01-S6-20	PIN (3*12L)	1	43	ZOS01-S6-43	RUBBER HOSE & BAG	1
21	ZOS01-S6-21	PACKING	1	45	ZOS01-S6-45	DUSTPROOF WASHER	1
22	ZOS01-S6-22	FRONT PLATE	1	46	ZOS01-S6-46	WASHER	1
23	ZOS01-S6-23	BEARING (6002ZZ)	1	48	ZOS01-S6-48	RUBBER WASHER	1