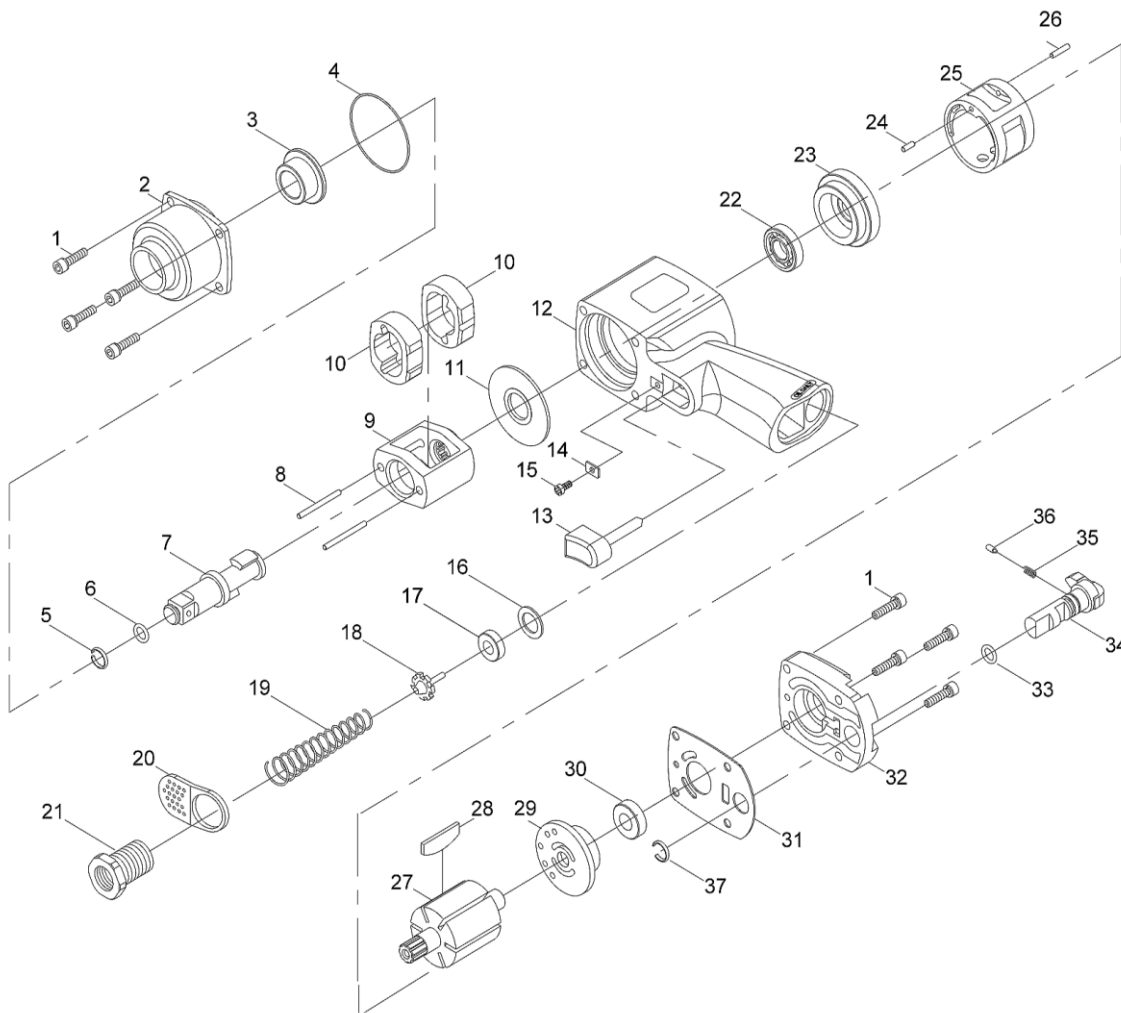


# ZIW611 3/4" Impact Wrench



## ZIW611 3/4" Impact Wrench

<b>TECHNICAL DATA</b>	Square drive	inch(mm)	: 3/4(19)
	Std. Bolt size	inch(mm)	: 1-1/2(38)
	Free speed	R.P.M	: 6,000
	Max. torque	ft-lb(N.M)	: 1100(1492)
	Air inlet size	inch-NPT/PT	: 1/4
	Hose size	inch(mm)	: 3/8(10)
	Avg. air consumption	cfm(l/min)	: 24.7(700)
	Net weight	lbs(kgs)	: 9.13 (4.15)

## PARTS LIST

Index #	Part #	Description	Index #	Part #	Description
1.	ZIW611-01	Screw (8)	20.	ZIW611-20	Exhaust Deflector
2.	ZIW611-02	Hammer Housing 3/4"	21.	ZIW611-21	Inlet Bushing
3.	ZIW611-03	Anvil Bushing	22.	ZIW611-22	Ball Bearing
*4.	ZIW611-04	O-Ring	23.	ZIW611-23	Front Plate
*5.	ZIW611-05	Socket Retainer	24.	ZIW611-24	Cylinder Pin 4x10
*6.	ZIW611-06	Retainer O-ring	25.	ZIW611-25	Cylinder
7.	ZIW611-07	Standard Anvil 3/4"	26.	ZIW611-26	Cylinder Pin 4x22
8.	ZIW611-08	Hammer Pin (2)	27.	ZIW611-27	Rotor
9.	ZIW611-09	Hammer Cage	*28.	ZIW611-28	Rotor Blade (6)
10.	ZIW611-10	Hammer Dog (2)	29.	ZIW611-29	Rear Plate
11.	ZIW611-11	Hammer Frame Rear Spacer	30.	ZIW611-30	Ball Bearing
12.	ZIW611-12	Motor Housing	*31.	ZIW611-31	Gasket
13.	ZIW611-13	Trigger	32.	ZIW611-32	Housing Cap
14.	ZIW611-14	Trigger Retainer	*33.	ZIW611-33	O-Ring
15.	ZIW611-15	Screw	34.	ZIW611-34	Reverse Valve
16.	ZIW611-16	Washer	35.	ZIW611-35	Spring
*17.	ZIW611-17	Throttle Bushing	36.	ZIW611-36	Steel Ball
*18.	ZIW611-18	Valve Stem	*37.	ZIW611-37	Retainer
19.	ZIW611-19	Spring			