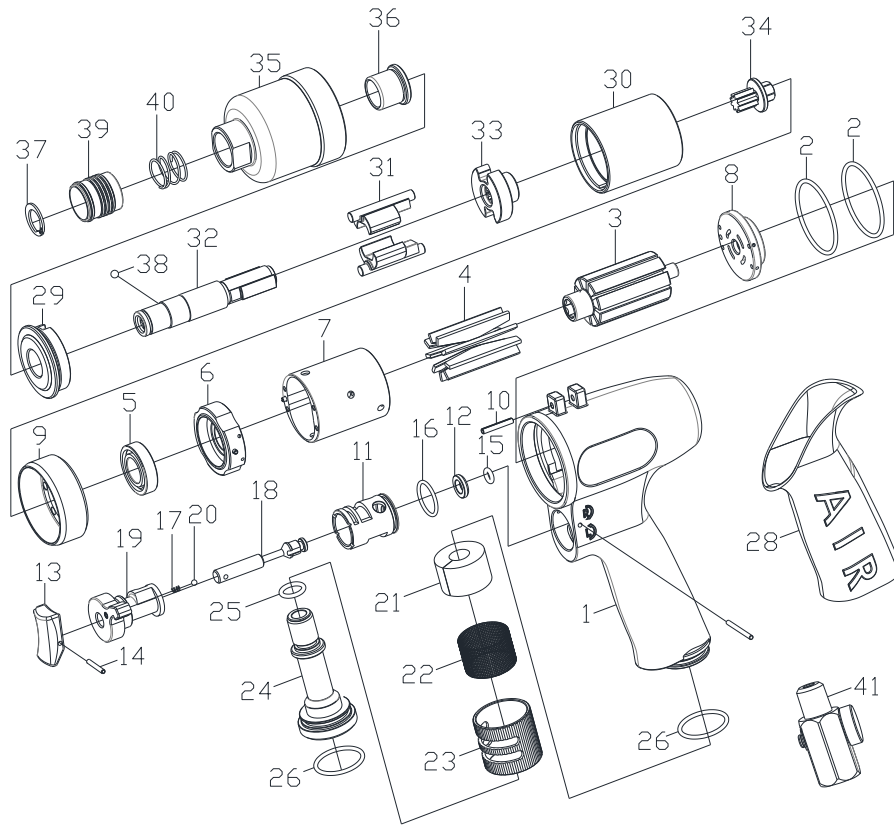


ZIS237 1/4" Impact Screwdriver



ZIS237 1/4" Impact Screwdriver

TECHNICAL DATA

| | | |
|--------------|-----------|---------|
| Hex/Sd Drive | Inch | 1/4"HEX |
| Max. Torque | Ft-lb(Nm) | 37(50) |
| Net Weight | Kg | 0.85 |
| Air Cons | Cfm | 17.65 |
| Free Speed | Rpm | 5800 |

PARTS LIST

| Index | Part # | Description | Index | Part # | Description | Index | Part # | Description |
|-------|-----------|------------------|-------|----------|--------------------|-------|----------|-------------------|
| 1 | PN0425011 | Pistol | 15 | OR0408 | O-Ring | 29 | 237201 | Front Plate |
| 2 | OR3337 | O-Ring(2) | 16 | OR1518 | O-Ring | 30 | 237202 | Hammer Cage |
| 3 | PS042303 | Rotor | 17 | PN042602 | Orientation Spring | 31 | 237203 | Hammer Dog(2) |
| 4 | PS042304 | Blade(9) | 18 | PN042603 | Valve Shaft | 32 | 237204 | 1/4" hex.Anvil |
| 5 | B06901E | Bearing | 19 | PN042609 | Valve Rod | 33 | 237205 | Cam |
| 6 | PN042301 | Front Plate | 20 | SB0025 | Ball | 34 | 237206 | Connection Shaft |
| 7 | PN042302 | Cylinder | 21 | PS042703 | Silencer | 35 | 2371011 | Front Casing |
| 8 | PN042305 | Rear Plate | 22 | PS042705 | Air Filter | 36 | 237103 | Bushing |
| 9 | PS042901 | Connection Sets | 23 | PS042704 | Exhaust Block Se | 37 | EH1216 | Inverted External |
| 10 | SP2516 | Spring Pin | 24 | PS042702 | Exhaust Body | 38 | SB0035 | Ball |
| 11 | PN04260C | Throttle Bushing | 25 | OR0812 | O-Ring | 39 | 237301 | Sleeve |
| 12 | PN04260D | Valve Washer | 26 | OR2024 | O-Ring(2) | 40 | PS042802 | Sleeve Spring |
| 13 | PS042607 | Throttle Grip | 27 | RP2022 | Pin | 41 | 82R2A | Air Regulator |
| 14 | SP2014 | Spring Pin | 28 | PN043503 | Rubber Grip | | | |