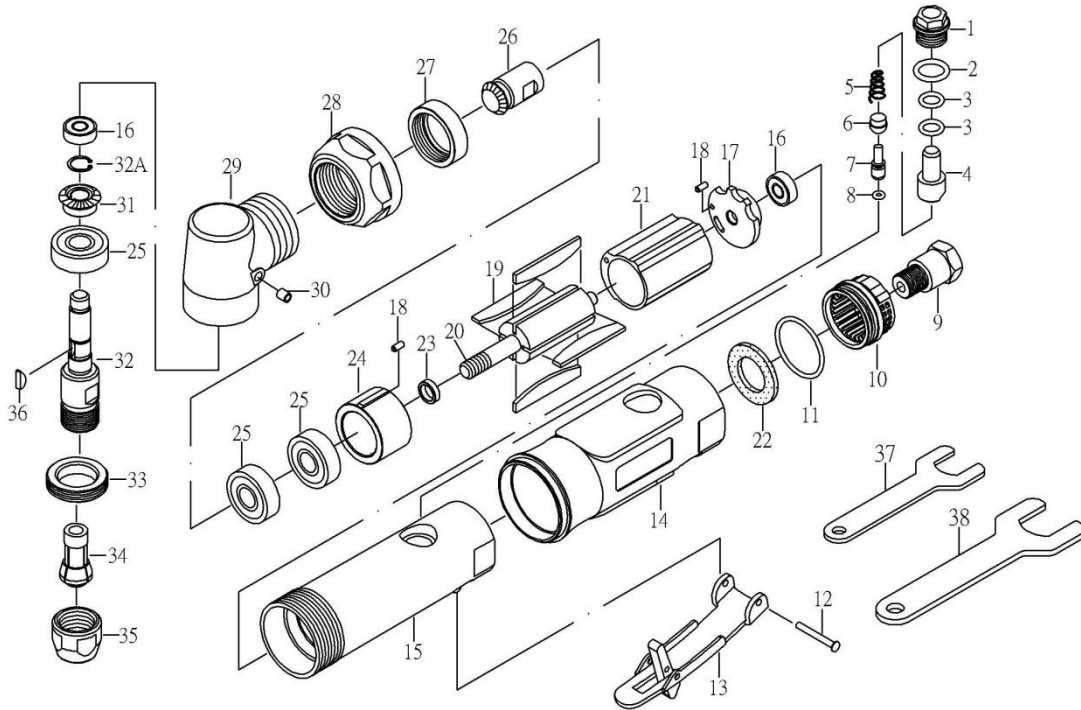


ZDG-236 MINI AIR DIE GRINDER



ZDG-236 MINI AIR DIE GRINDER

TECHNICAL DATA

Gollet Size	inch(mm)	1/4(6)
Net Weight	lbs(kgs)	1.1(0.5)
Length	inch(mm)	6.1(155)
RPM	R.P.M.	20000
Air Inlet Size	Inch-NPT/PT	1/4
Min. Hose Size	inch(mm)	3/8(10)
Avg. Air Consumption	cfm	3

PARTS LIST

Index	Part #	Description	Index	Part #	Description
1	ZDG-236-01	SCREW	21	ZDG-236-21	CYLINDER
2	ZDG-236-02	O-RING (P12)	22	ZDG-236-22	CONE MUFFLER
3	ZDG-236-03	O-RING (P8)(2)	23	ZDG-236-23	BEARING SPACER
4	ZDG-236-04	AIR REGULATOR	24	ZDG-236-24	FRONT PLATE
5	ZDG-236-05	SPRING	25	ZDG-236-25	BEARING (608ZZ)(3)
6	ZDG-236-06	VALVE STEM BUSHING	26	ZDG-236-26	BEVEL GEAR (11T)
7	ZDG-236-07	VALVE STEM	27	ZDG-236-27	NUT
8	ZDG-236-08	O-RING(3.5X1.4)	28	ZDG-236-28	CLAMP NUT
9	ZDG-236-09	AIR INLET	29	ZDG-236-29	ANGLE HOUSING
10	ZDG-236-10	EXHAUST SLEEVE	30	ZDG-236-30	OIL CUP
11	ZDG-236-11	O-RING	31	ZDG-236-31	BEVEL GEAR (14T)
12	ZDG-236-12	PIN	32	ZDG-236-32	SHAFT
13	ZDG-236-13	LEVER	32A	ZDG-236-32A	SNAP RING
14	ZDG-236-14	PROTECTING RUBBER	33	ZDG-236-33	CLAMP NUT
15	ZDG-236-15	HOUSING	34	ZDG-236-34	COLLET
16	ZDG-236-16	BEARING (696ZZ)(2)	35	ZDG-236-35	COLLET NUT
17	ZDG-236-17	REAR PLATE	36	ZDG-236-36	KEY
18	ZDG-236-18	PIN(2)	37	ZDG-236-37	STOP SPANNER 14M/M
19	ZDG-236-19	ROTOR BLADE(4)	38	ZDG-236-38	STOP SPANNER 19M/M
20	ZDG-236-20	ROTOR			