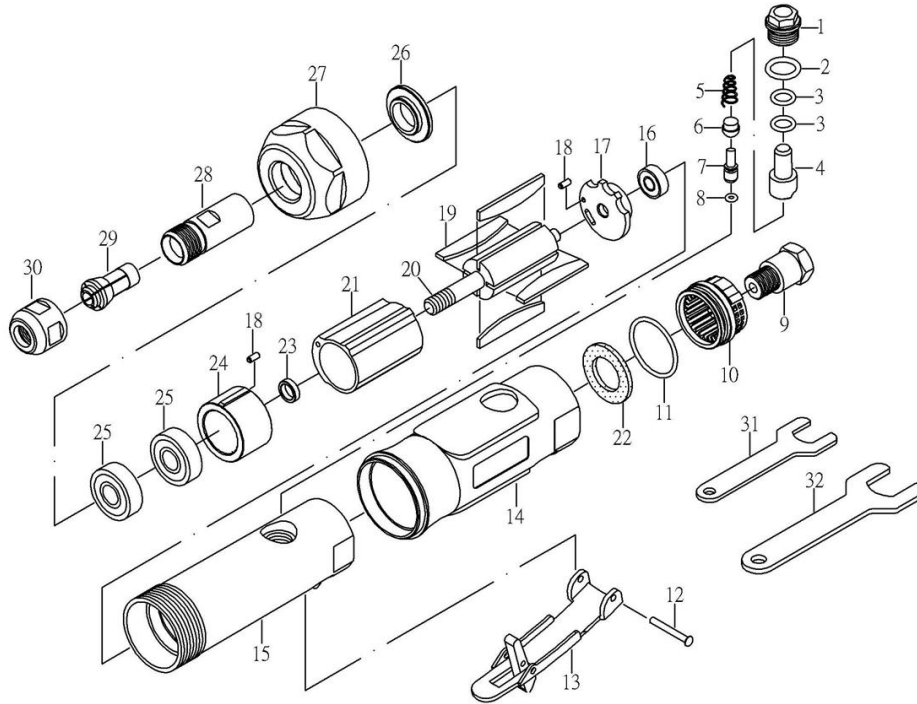


ZDG-231 MINI AIR DIE GRINDER



ZDG-231 MINI AIR DIE GRINDER

TECHNICAL DATA

Gollet Size	inch(mm)	1/4(6)
Net Weight	lbs(kgs)	0.9(0.4)
Length	inch(mm)	6.1(155)
RPM	R.P.M.	25000
Air Inlet Size	Inch-NPT/PT	1/4
Min. Hose Size	inch(mm)	3/8(10)
Avg. Air Consumption	cfm	3

PARTS LIST

Index	Part #	Description	Index	Part #	Description
1	ZDG-231-01	SCREW	17	ZDG-231-17	REAR PLATE
2	ZDG-231-02	O-RING (P12)	18	ZDG-231-18	PIN(2)
3	ZDG-231-03	O-RING (P8)(2)	19	ZDG-231-19	ROTOR BLADE(4)
4	ZDG-231-04	AIR REGULATOR	20	ZDG-231-20	ROTOR
5	ZDG-231-05	SPRING	21	ZDG-231-21	CYLINDER
6	ZDG-231-06	VALVE STEM BUSHING	22	ZDG-231-22	CONE MUFFLER
7	ZDG-231-07	VALVE STEM	23	ZDG-231-23	BEARING SPACER
8	ZDG-231-08	O-RING(3.5*1.4)	24	ZDG-231-24	FRONT PLATE
9	ZDG-231-09	AIR INLET	25	ZDG-231-25	BEARING (608ZZ)(2)
10	ZDG-231-10	EXHAUST SLEEVE	26	ZDG-231-26	WASHER
11	ZDG-231-11	O-RING	27	ZDG-231-27	CLAMP NUT
12	ZDG-231-12	PIN	28	ZDG-231-28	SPINDLE
13	ZDG-231-13	LEVER	29	ZDG-231-29	COLLET
14	ZDG-231-14	PROTECTING RUBBER	30	ZDG-231-30	COLLET NUT
15	ZDG-231-15	HOUSING	31	ZDG-231-31	STOP SPANNER 14MM
16	ZDG-231-16	BEARING (696ZZ)	32	ZDG-231-32	STOP SPANNER 19MM