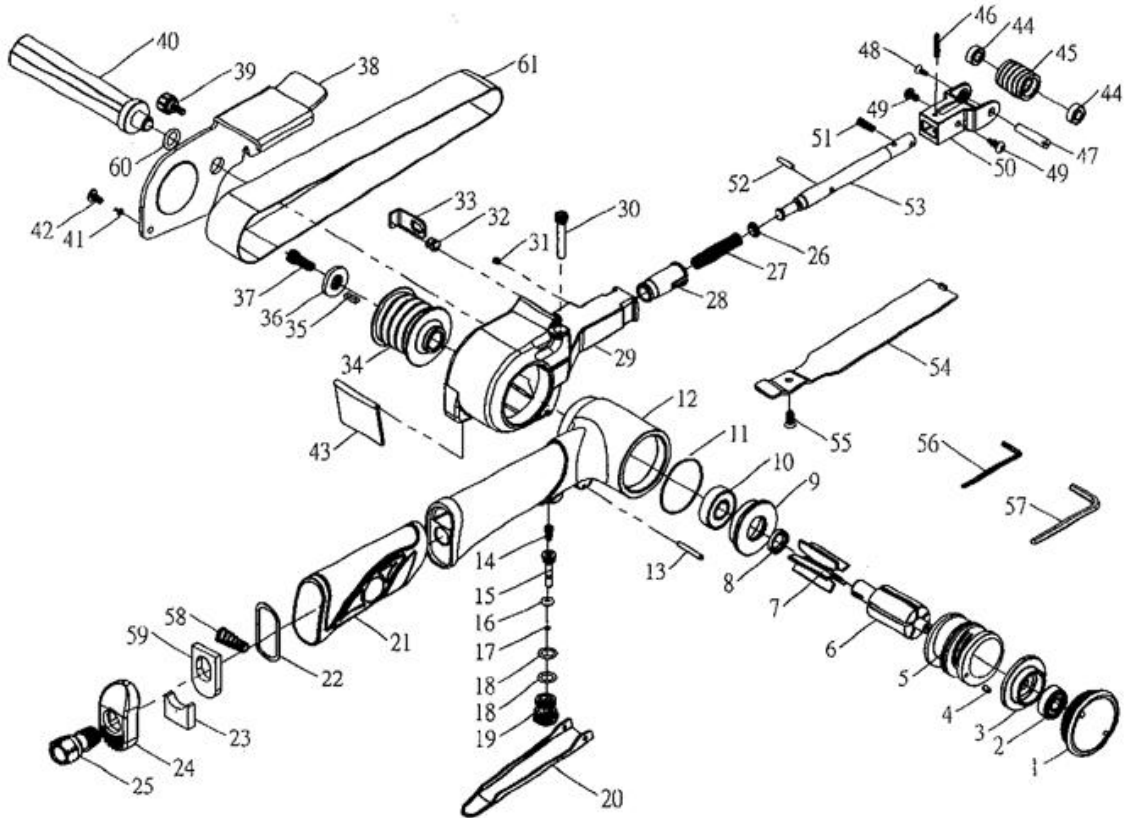


ZBS-385N

Air Belt Sander



ZBS-385N

Air Belt Sander

| TECHNICAL DATA | Parameter | Unit | Value |
|----------------|----------------|--------------------|--------------|
| | Size of belt | mm | : 30X540 |
| | Free Speed | rpm | : 13000 |
| | Horse Power | HP | : 0.8 |
| | Air Inlet | inch | : 1/4 |
| | Air Pressure | kg/cm ² | : 6.3 |
| | Air Cons | cfm | : 4.5 |
| | Overall Length | mm | : 415X118X82 |
| | Sound Level | | 85 |

PARTS LIST

| Index # | Part # | Description | Index # | Part # | Description |
|---------|-------------|------------------------|---------|-------------|------------------------|
| 1. | ZBS-385N-01 | Cap | 32. | ZBS-385N-32 | Spring |
| 2. | ZBS-385N-02 | Ball Bearing | 33. | ZBS-385N-33 | Block Slice |
| 3. | ZBS-385N-03 | Rear End Plate | 34. | ZBS-385N-34 | Drive Pulley |
| 4. | ZBS-385N-04 | Pin | 35. | ZBS-385N-35 | Key |
| 5. | ZBS-385N-05 | Cylinder | 36. | ZBS-385N-36 | Spindle Chuck(2) |
| 6. | ZBS-385N-06 | Rotor | 37. | ZBS-385N-37 | Screw |
| 7. | ZBS-385N-07 | Rotor Blade(5) | 38. | ZBS-385N-38 | Belt Guard |
| 8. | ZBS-385N-08 | Spacer | 39. | ZBS-385N-39 | Handle Screw |
| 9. | ZBS-385N-09 | Front End Plate | 40. | ZBS-385N-40 | Grip |
| 10. | ZBS-385N-10 | Bearing | 41. | ZBS-385N-41 | O-Ring |
| 11. | ZBS-385N-11 | O-Ring | 42. | ZBS-385N-42 | Screw |
| 12. | ZBS-385N-12 | Housing | 43. | ZBS-385N-43 | Dust Cover |
| 13. | ZBS-385N-13 | Lever Pin | 44. | ZBS-385N-44 | Bearing(2) |
| 14. | ZBS-385N-14 | Spring | 45. | ZBS-385N-45 | Wheel |
| 15. | ZBS-385N-15 | Valve Stem | 46. | ZBS-385N-46 | Spring Pin |
| 16. | ZBS-385N-16 | O-Ring | 47. | ZBS-385N-47 | Location Pin |
| 17. | ZBS-385N-17 | O-Ring | 48. | ZBS-385N-48 | Screw |
| 18. | ZBS-385N-18 | O-Ring(2) | 49. | ZBS-385N-49 | Screw(2) |
| 19. | ZBS-385N-19 | Valve Body | 50. | ZBS-385N-50 | Contact Arm |
| 20. | ZBS-385N-20 | Safety Lever | 51. | ZBS-385N-51 | Spring |
| 21. | ZBS-385N-21 | Cover Handle | 52. | ZBS-385N-52 | Lever Pin |
| 22. | ZBS-385N-22 | Washer | 53. | ZBS-385N-53 | Tension Bar |
| 23. | ZBS-385N-23 | Fabric Silencer | 54. | ZBS-385N-54 | Shoe 30 |
| 24. | ZBS-385N-24 | Exhaust Control Spacer | 55. | ZBS-385N-55 | Screw |
| 25. | ZBS-385N-25 | Inlet Bushing | 56. | ZBS-385N-56 | Hex Wrench key (2.5mm) |
| 26. | ZBS-385N-26 | Washer | 57. | ZBS-385N-57 | Hex Wrench key (4mm) |
| 27. | ZBS-385N-27 | Spring | 58. | ZBS-385N-58 | Spring |
| 28. | ZBS-385N-28 | Guide Cover | 59. | ZBS-385N-59 | Fabric Silencer |
| 29. | ZBS-385N-29 | Guard Body | 60. | ZBS-385N-60 | O-Ring |
| 30. | ZBS-385N-30 | Screw | 61. | ZBS-385N-61 | Sandpaper Band #100 |
| 31. | ZBS-385N-31 | Set Screw | | | |