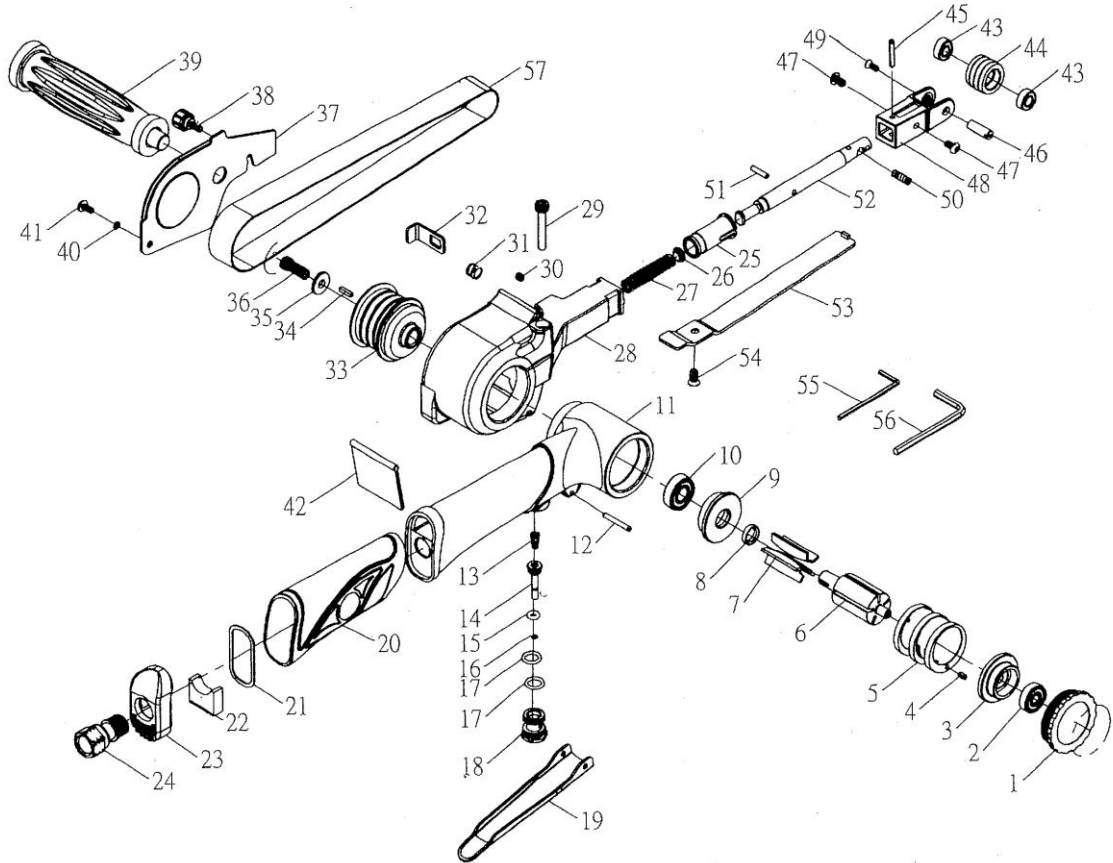


# ZBS-383N

# Air Belt Sander



# ZBS-383N

# Air Belt Sander

TECHNICAL DATA	Size of belt	mm	:	20X520
	Free Speed	rpm	:	16500
	Horse Power	HP	:	0.5
	Air Inlet	inch	:	1/4
	Air Pressure	kg/cm2	:	6.3
	Air Cons	cfm	:	4
	Overall Length	mm	:	407X113X82
	Sound Level			85

## PARTS LIST

Index #	Part #	Description	Index #	Part #	Description
1.	ZBS-383N-01	Cap	30.	ZBS-383N-30	Set Screw
2.	ZBS-383N-02	Ball Bearing	31.	ZBS-383N-31	Spring
3.	ZBS-383N-03	End Plate	32.	ZBS-383N-32	Block Slice
4.	ZBS-383N-04	Pin	33.	ZBS-383N-33	Drive Pulley
5.	ZBS-383N-05	Cylinder	34.	ZBS-383N-34	Key
6.	ZBS-383N-06	Rotor	35.	ZBS-383N-35	Washer
7.	ZBS-383N-07	Rotor Blade(5)	36.	ZBS-383N-36	Screw
8.	ZBS-383N-08	Spacer	37.	ZBS-383N-37	Belt Guard
9.	ZBS-383N-09	End Plate	38.	ZBS-383N-38	Handle Screw
10.	ZBS-383N-10	Ball Bearing	39.	ZBS-383N-39	Grip
11.	ZBS-383N-11	Housing	40.	ZBS-383N-40	O-Ring
12.	ZBS-383N-12	Lever Pin	41.	ZBS-383N-41	Screw
13.	ZBS-383N-13	Spring	42.	ZBS-383N-42	Dust Cover
14.	ZBS-383N-14	Valve Stem	43.	ZBS-383N-43	Bearing(2)
15.	ZBS-383N-15	O-Ring	44.	ZBS-383N-44	Wheel
16.	ZBS-383N-16	O-Ring	45.	ZBS-383N-45	Spring Pin
17.	ZBS-383N-17	O-Ring(2)	46.	ZBS-383N-46	Pin
18.	ZBS-383N-18	Valve Body	47.	ZBS-383N-47	Screw(2)
19.	ZBS-383N-19	Safety Lever	48.	ZBS-383N-48	Contact Arm
20.	ZBS-383N-20	Cover Handle	49.	ZBS-383N-49	Screw
21.	ZBS-383N-21	Washer	50.	ZBS-383N-50	Spring
22.	ZBS-383N-22	Fabric Silencer	51.	ZBS-383N-51	Lever Pin
23.	ZBS-383N-23	Exhaust Control Spacer	52.	ZBS-383N-52	Tension Bar
24.	ZBS-383N-24	Inlet Bushing	53.	ZBS-383N-53	Shoe 20
25.	ZBS-383N-25	Washer	54.	ZBS-383N-54	Screw
26.	ZBS-383N-26	Spring	55.	ZBS-383N-55	Hex Wrench key (2.5mm)
27.	ZBS-383N-27	Guide Cover	56.	ZBS-383N-56	Hex Wrench key (4mm)
28.	ZBS-383N-28	Guard Body	57.	ZBS-383N-57	Sandpaper Band #100
29.	ZBS-383N-29	Screw			