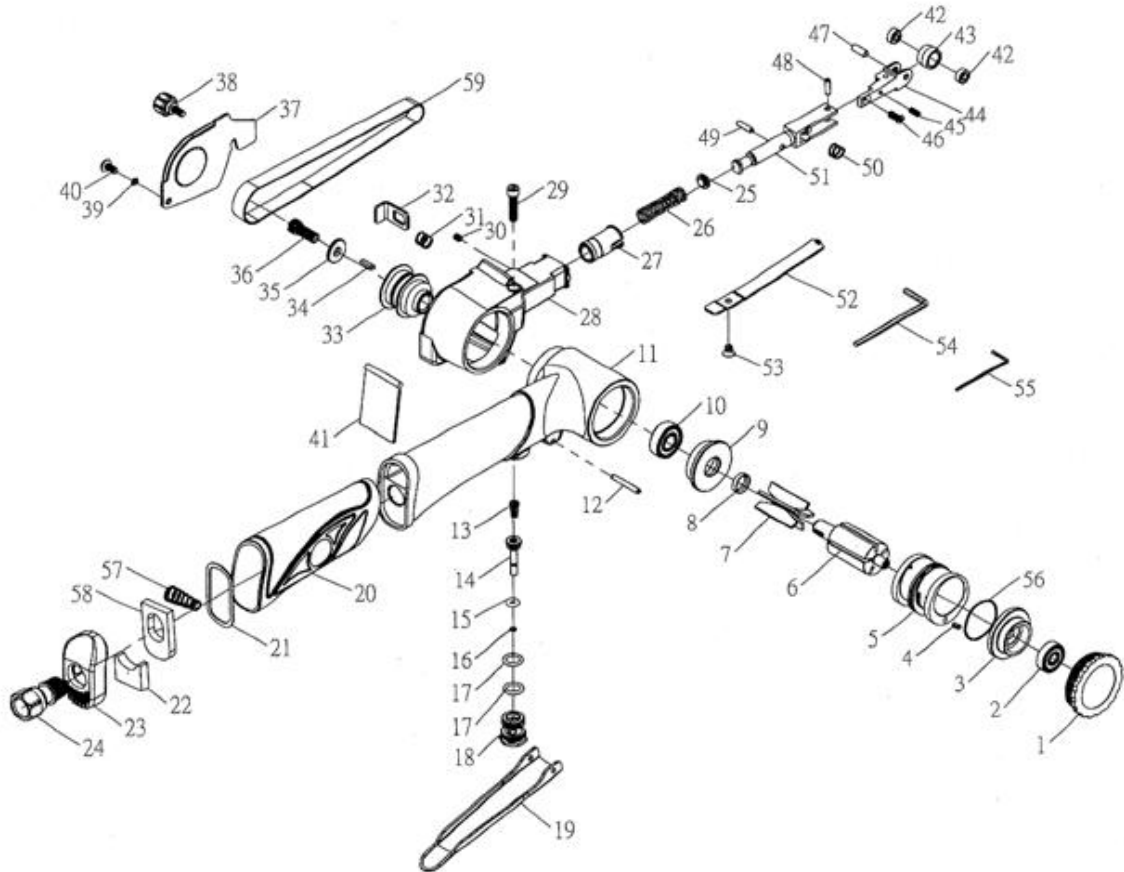


ZBS-382N

Air Belt Sander



ZBS-382N

Air Belt Sander

TECHNICAL DATA	Parameter	Unit	Value
	Size of belt	mm	: 10X330
	Free Speed	rpm	: 16500
	Horse Power	HP	: 0.5
	Air Inlet	inch	: 1/4
	Air Pressure	kg/cm ²	: 6.3
	Air Cons	cfm	: 4
	Overall Length	mm	: 326X100X58
	Sound Level		85

PARTS LIST

Index #	Part #	Description	Index #	Part #	Description
1.	ZBS-382N-01	Cap	30.	ZBS-382N-30	Set Screw
2.	ZBS-382N-02	Ball Bearing	31.	ZBS-382N-31	Spring
3.	ZBS-382N-03	End Plate A	32.	ZBS-382N-32	Block Slice
4.	ZBS-382N-04	Pin	33.	ZBS-382N-33	Drive Pulley
5.	ZBS-382N-05	Cylinder	34.	ZBS-382N-34	Key
6.	ZBS-382N-06	Rotor	35.	ZBS-382N-35	Washer(2)
7.	ZBS-382N-07	Rotor Blade(5)	36.	ZBS-382N-36	Screw
8.	ZBS-382N-08	Spacer	37.	ZBS-382N-37	Belt Guard
9.	ZBS-382N-09	End Plate	38.	ZBS-382N-38	Handle Screw
10.	ZBS-382N-10	Ball Bearing	39.	ZBS-382N-39	O-Ring
11.	ZBS-382N-11	Housing	40.	ZBS-382N-40	Screw
12.	ZBS-382N-12	Lever Pin	41.	ZBS-382N-41	Dust Cover
13.	ZBS-382N-13	Spring	42.	ZBS-382N-42	Ball Bearing(2)
14.	ZBS-382N-14	Valve Stem	43.	ZBS-382N-43	Idle Pulley
15.	ZBS-382N-15	O-Ring	44.	ZBS-382N-44	Bracket 10
16.	ZBS-382N-16	O-Ring	45.	ZBS-382N-45	Screw
17.	ZBS-382N-17	O-Ring(2)	46.	ZBS-382N-46	Screw
18.	ZBS-382N-18	Valve Body	47.	ZBS-382N-47	Pin
19.	ZBS-382N-19	Safety Lever	48.	ZBS-382N-48	Spring Pin
20.	ZBS-382N-20	Cover Handle	49.	ZBS-382N-49	Lever Pin
21.	ZBS-382N-21	Washer	50.	ZBS-382N-50	Spring
22.	ZBS-382N-22	Fabric Silencer	51.	ZBS-382N-51	Tension Bar 10
23.	ZBS-382N-23	Exhaust Control Spacer	52.	ZBS-382N-52	Shoe 10
24.	ZBS-382N-24	Inlet Bushing	53.	ZBS-382N-53	Screw
25.	ZBS-382N-25	Washer	54.	ZBS-382N-54	Hex Wrench key (3mm)
26.	ZBS-382N-26	Spring	55.	ZBS-382N-55	Sandpaper Band #100
27.	ZBS-382N-27	Guide Cover	56.	ZBS-382N-56	O-Ring
28.	ZBS-382N-28	Guard Body	57.	ZBS-382N-57	Spring
29.	ZBS-382N-29	Screw	58.	ZBS-382N-58	Fabric Silencer
			59.	ZBS-382N-59	Sandpaper Belt#100