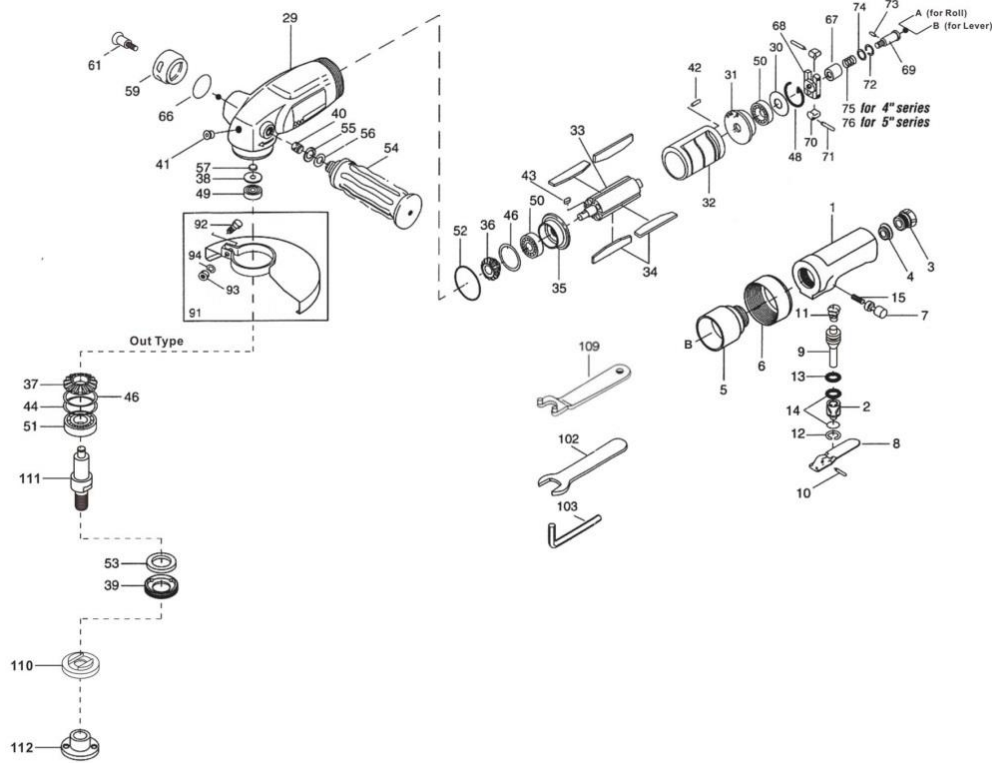


# ZAG5110BP Air Angle Grinder (safety- throttle)(out-type)



## ZAG5110BP Air Angle Grinder (safety- throttle)(out-type)

### TECHNICAL

### DATA

Throttle		Lever
Grinding Wheel	inch(mm)	5(125)
Free Speed	R.P.M.	10900
Spindle Thread Size		M14x2.0P
Angle Head Height	inch(mm)	3(76)
Overall Length	inch(mm)	8-3/16(208)
Net Weight	kg	1.6
Horse Power	HP	0.75
Max. Air Cons.	cfm(m <sup>3</sup> /min)	33(0.95)

### PARTS LIST

Index	Part #	Description	Index	Part #	Description	Index	Part #	Description
16	ZAG5110BP-16	Valve Body	39	ZAG5110BP-39	Casing Front Cover	72	ZAG5110BP-	Adjusting Spacer
17	ZAG5110BP-17	Valve Body Connector	40	ZAG5110BP-40	Heli Sert	73	72	Pin
18	ZAG5110BP-18	Valve	41	ZAG5110BP-41	Oil Ball	74	ZAG5110BP-	Spacer
19	ZAG5110BP-19	Valve Handle	42	ZAG5110BP-42	Roll Pin	75	73	5"Serling Spring
20	ZAG5110BP-20	Valve Bushing	43	ZAG5110BP-43	Key	91	ZAG5110BP-	Wheel Guard
21	ZAG5110BP-21	Valve Body Nut	44	ZAG5110BP-44	Spacer	92	74	Head Bolt
22	ZAG5110BP-22	Band	46	ZAG5110BP-46	Adjusting Spacer	93	ZAG5110BP-	Nut
23	ZAG5110BP-23	Filter	48	ZAG5110BP-48	Snap Ring	94	75	Spring Washer
24	ZAG5110BP-24	Pin	49	ZAG5110BP-49	Bearing	110	ZAG5110BP-	Holder Flange
25	ZAG5110BP-25	Roll Pin	50	ZAG5110BP-50	Bearing (2)	111	91	Spindle
26	ZAG5110BP-26	Spring	51	ZAG5110BP-51	Bearing	112	ZAG5110BP-	Nut Flange
27	ZAG5110BP-27	Spring	52	ZAG5110BP-52	O-Ring	102	92	Spanner
28	ZAG5110BP-28	O-Ring	53	ZAG5110BP-53	Felt Ring	103	ZAG5110BP-	Allen Wrench
29	ZAG5110BP-29	Casing	54	ZAG5110BP-54	Dead Handle	109	93	Spanner
30	ZAG5110BP-30	Rear Plate Spacer	55	ZAG5110BP-55	Washer		ZAG5110BP-	
31	ZAG5110BP-31	Rear Plate	56	ZAG5110BP-56	Spring Washer	94		
32	ZAG5110BP-32	Cylinder	57	ZAG5110BP-57	Snap Ring		ZAG5110BP-	
33	ZAG5110BP-33	Rotor	59	ZAG5110BP-59	Exhaust Stack	110		
34	ZAG5110BP-34	Blade	61	ZAG5110BP-61	Head Screw		ZAG5110BP-	
35	ZAG5110BP-35	Front Plate	66	ZAG5110BP-66	O-Ring	111		
36	ZAG5110BP-36	Driving Gear	67	ZAG5110BP-67	Governor Valve		ZAG5110BP-	
37	ZAG5110BP-37	Driven Gear	68	ZAG5110BP-68	Governor Cage	112		
38	ZAG5110BP-38	Casing Rear Cover	69	ZAG5110BP-69	Governor Spindle		ZAG5110BP-	
			70	ZAG5110BP-70	Governor Weight(2)	102		
			71	ZAG5110BP-71	Roll Pin (2)		ZAG5110BP-	
						103		
							ZAG5110BP-	
						109		